

AVM-HCM-V-L1

HEAVY DUTY CEILING MOUNT (10" LONG) WITH JUNCTION BOX FOR VF/MOTORIZED LARGE VANDAL DOME CAMERAS



AVM-HCM-V-L1 CEILING MOUNT WITH JUNCTION BOX

HEAVY DUTY CEILING MOUNT W/ JUNCTION BOX FOR VARIFOCAL LENS LARGE VANDAL DOME CAMERAS

The AVM-HCM-V-L1 is a heavy duty ceiling mount with a junction box designed for use with our Varifocal/Motorized Large Vandal Dome Cameras. Constructed with Aluminum alloy material with surface spray treatment, this wall mount allows for the collection of camera cables.

FUNCTIONS

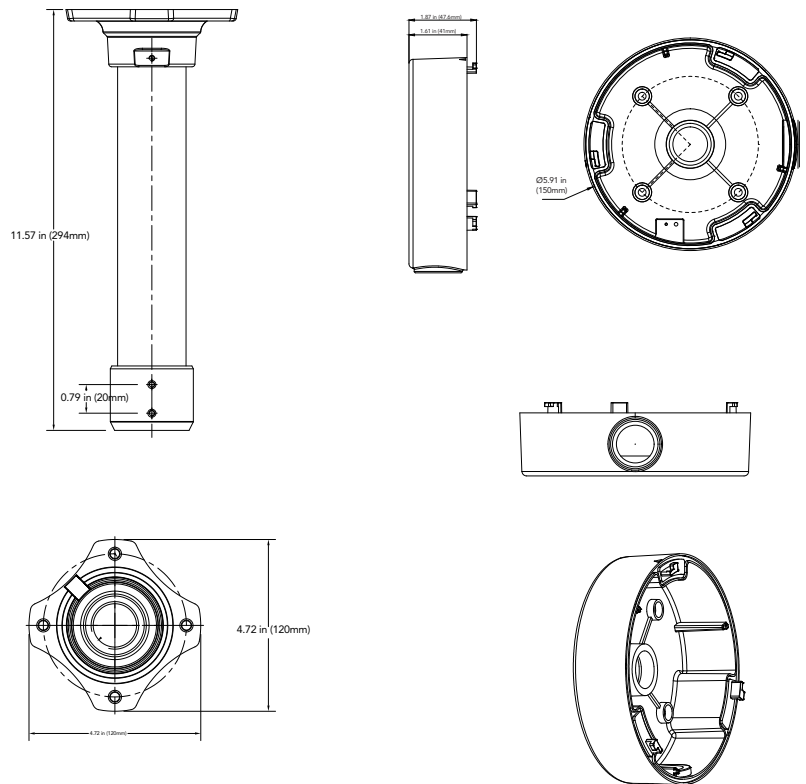
- Aluminum alloy material with surface spray treatment
- Wall mounting bracket

DIMENSIONS

Unit : inch (mm)

SPECIFICATIONS

GENERAL	
Material	Aluminum alloy
Color	White
Working Temperature	-40°C~60°C (-40°F~140°F)
Working Humidity	10~90% (Non-Condensing)
Dimensions	pole: (294mm x 120mm) junction box: (150mm x 47.6mm)



AVYCON[®]

Copyright © AVYCON. All rights reserved. Specifications and pricing are subject to change without notice.